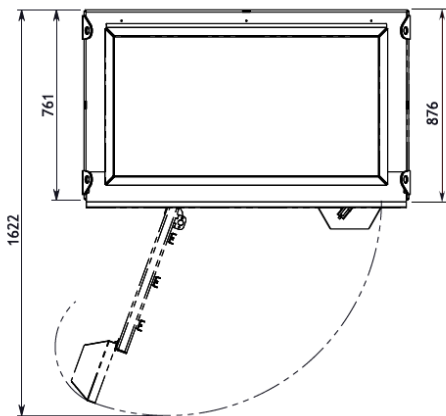
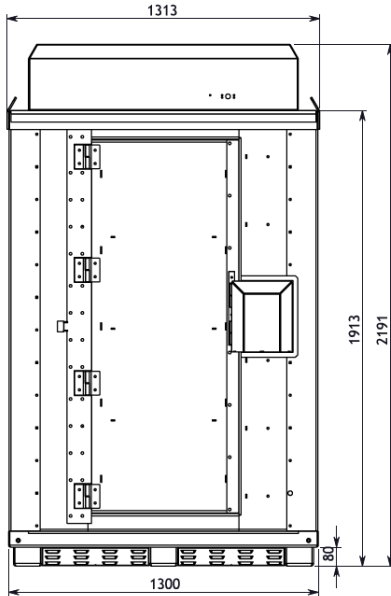
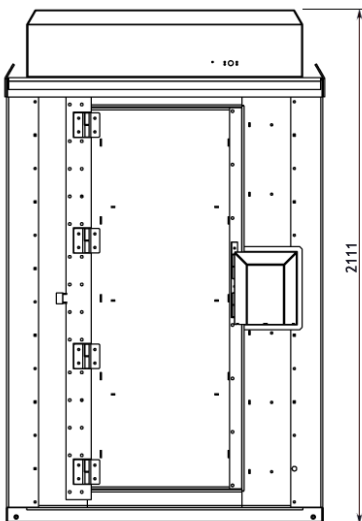


## Foot Mounted



## Plinth Mounted



## SV200 Outdoor Vault

### Features

- Cabinet fabricated with 4.5mm 3CR12 stainless steel
- Corners double layered 7.5mm 3CR12
- Finish is powder coated RAL 7035
- Insulation: Extruded closed Cell Polyethylene 25mm
- Fire rating Class 1 SABS report 653/82677/93
- High security 30mm panels (intrusion protection)
- Battery capacity 32 x 200 A/hr

### Cooling Specifications

- Cooline roof mounted cooling module
- Cooling capacity @ 45°C. Considering 700 watt: 2388 BTU
- Retains internal temperature below 25°C
- Operating temperature range: 10°C to 45°C
- Voltage: 220 AC – 240 AC @ 50 Hz
- Current: 3.7 Amp
- Submitted SABS Electrical Safety

### Additional Features on Request

- Remote security locking capability
- Vibration sensors

### SV200 Outdoor Vault Dimensions

		Height	Width	Depth
Plinth Mounted	External	2190 mm	1313 mm	760 mm
	Internal	1140 mm	605 mm	1688 mm
Foot Mounted	External	2111 mm	1313 mm	760 mm
	Internal	1140 mm	605 mm	1688 mm

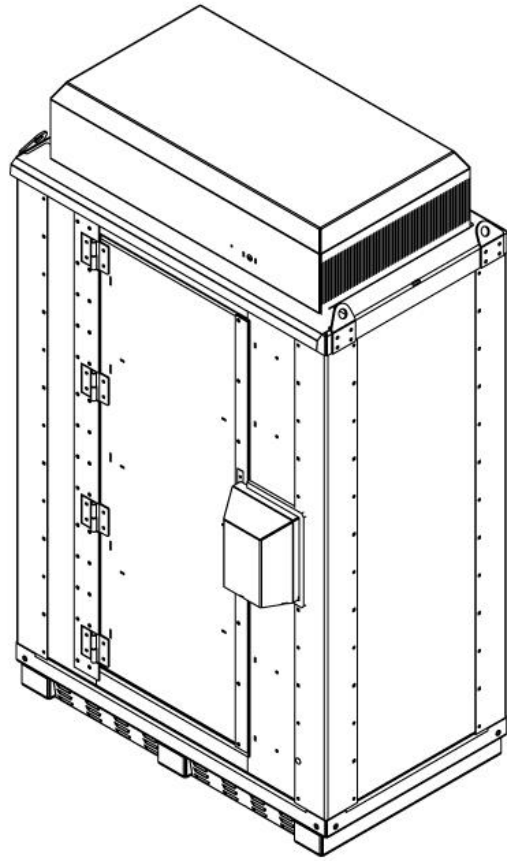
**Plinth Mounted:** Cabinet bolted down flat on a concrete plinth with cable reticulation.

**Foot Mounted:** Cabinet option with welded 'feet' to be fitted on a concrete slab with cable reticulation.

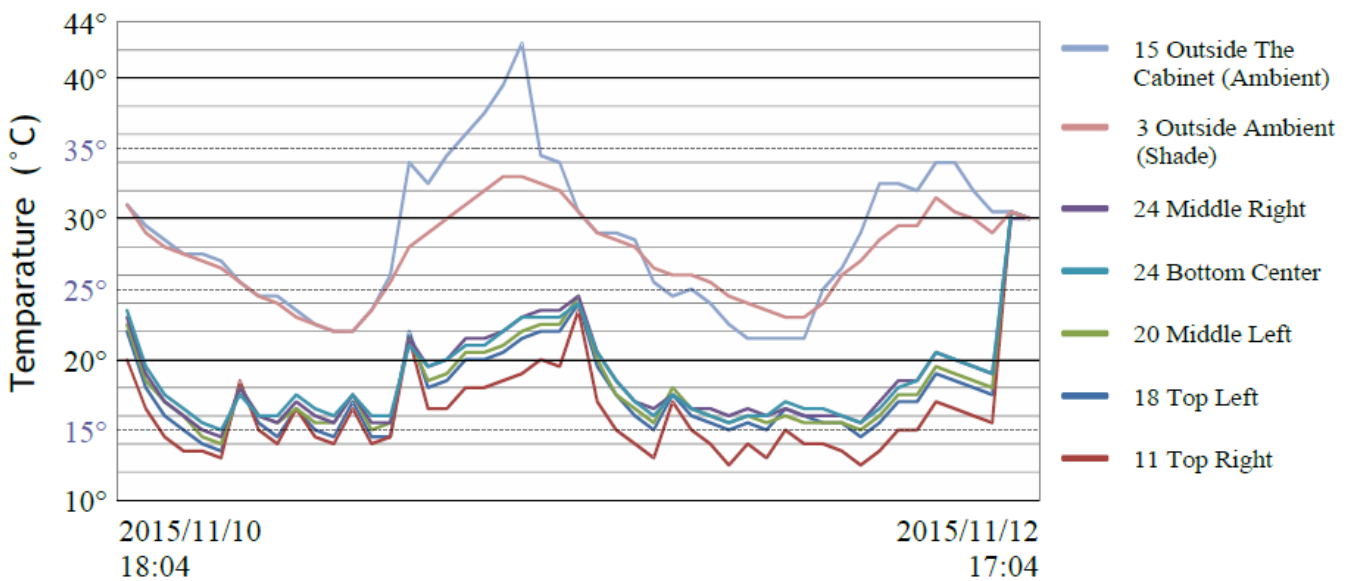
**Roof Mounted:** A Structural Engineer must approve the structure before considering roof mounting:

- 800 kg without security plates (excluding batteries)
- 1150 kg with security plate (excluding batteries)

# SV200 Outdoor Vault



## SV200 Outdoor Vault 500W Cooling Unit



### Test Parameters:

500W\* Lightcool Cooler, No internal heat generation, 15mm closed cell foam insulation

\* The test was done using a 500W Cooler. This will be upgraded to a 700W Cooler to improve operational reliability in future production models.