

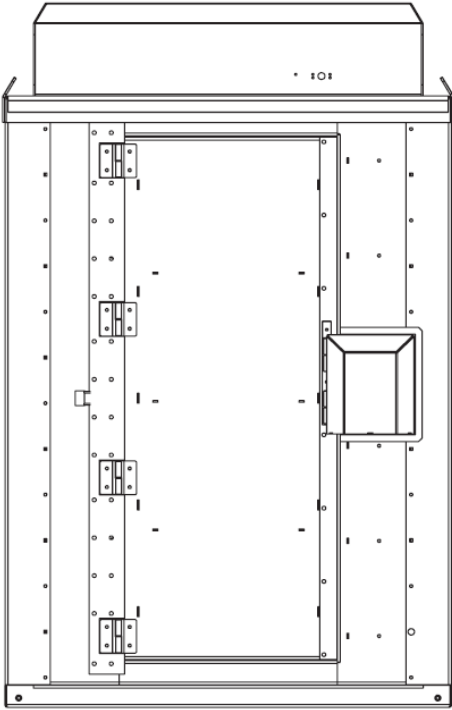
- | | |
|---|-----------------------|
| 1 | SV200 Cabinet |
| 2 | Metal Plinth |
| 3 | RBS6120 Security Cage |
| 4 | AC Distribution Board |
| 5 | Combiner Enclosure |

Prices quoted exclude all Taxes, VAT, Duties and/or Levies. Prices may be subject to change. Every effort has been made to ensure all information was accurate at the date this publication was generated.

www.mep.co.za - Tel: +27 11 394 3444 - Fax: +27 11 394 2410 - sales@mep.co.za

1

SV200 Outdoor Vault Options



* A Structural Engineer must approve the structure before considering roof mounting

Dimensions

	Height	Width	Depth
External	2190 mm	1313 mm	760 mm
Internal	1140 mm	605 mm	1688 mm

SV200 (Option 1) – Standard Features

- Cabinet fabricated with 4.5mm 3CR12 stainless steel
- Finish is powder coated RAL 7035
- Insulation: Extruded closed cell Polyethylene 25mm
- Fire rating Class 1 SABS report 653/82677/93
- Battery capacity 32 x 200 A/hr
- Cooling unit specification
- Coolline roof mounted cooling module
- Cooling capacity @ 45°C. Condensing 700 watt: 2388 BTU
- Retains internal temperature below 25°C
- Operating Temperature range: 10°C to 45°C
- Voltage: 220AC-240AC @ 50Hz
- Current: 3.7 Amp
- Submitted SABS Electrical Safety

Weight SV200

- 800 kg (excluding batteries)

SV200 HS (Option 2) – Additional Features

- High Security 30mm panels (intrusion protection)

Weight SV200 HS

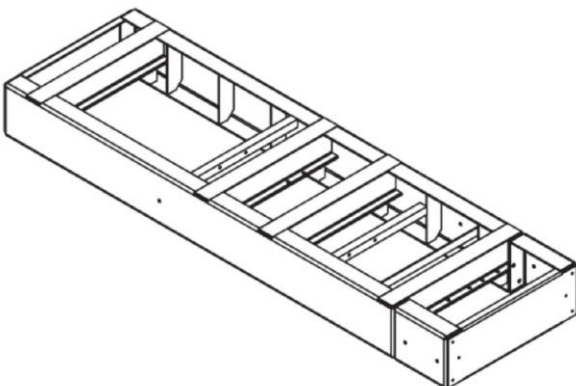
- 1150 kg (excluding batteries)

Add-Ons

- Remote security locking capability
- Vibration sensors

2

Metal Plinth

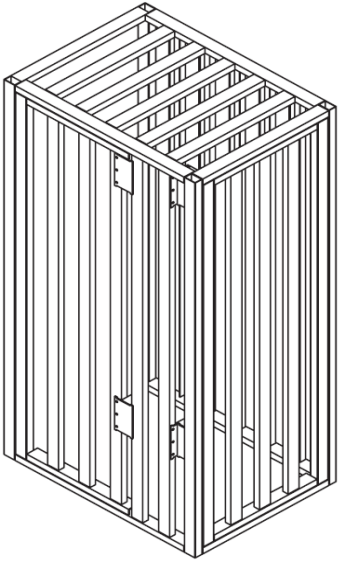


Metal Plinth

- Fabricated in 6mm 3CR12, I-beams 160 x 82 IPE (AA) Section
- Welded structure with removable side plate for access to cables
- Includes tubes and brackets for cable reticulation

Dimensions

- 2562 x 760 x 260mm

3**RBS6120 Security Cage****RBS6120 Security Cage**

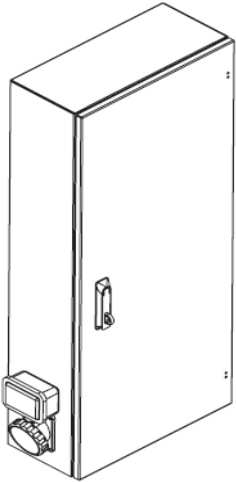
- Welded construction in 75 x 40 MS U-Channel to ensure proper coverage in powder coating
- Provision for 4 Abloy 341 Padlocks (2 per gate) in protected positions (6mm MS covers)
- Heavy duty stainless steel bullet hinges

Dimensions

- 1330 x 985 x 2400mm

Weight

- 375 kg

4**ACDB No 5 (3CR12) to accommodate CK100****ACDB No 5 (3CR12) to accommodate CK100**

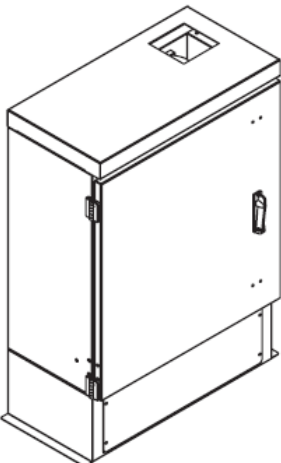
- Standard outdoor ACDB
- Outdoor sockets
- Enclosure fabricated in 1.6mm 3CR12

Dimensions

- 540 x 1091 x 260mm

Weight

- 36 kg

5**Combiner Enclosure****Combiner Enclosure**

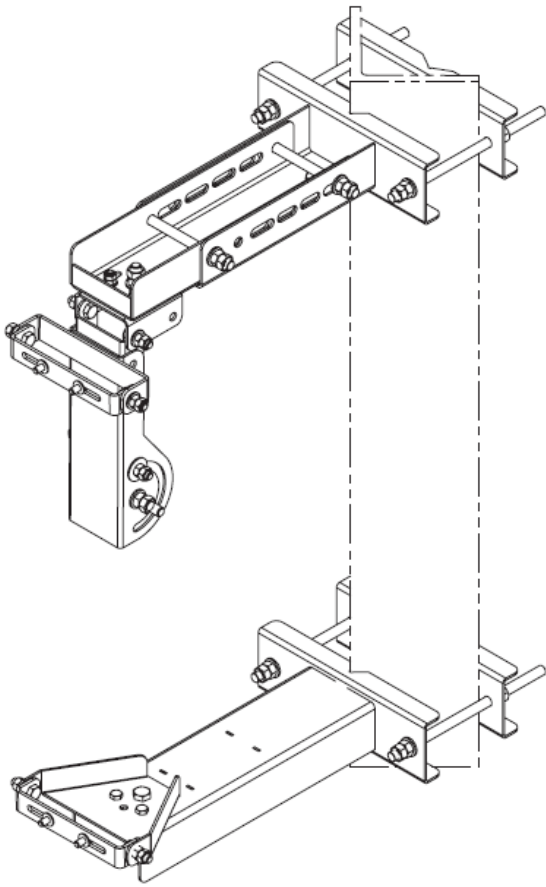
- Enclosure fabricated in 1.6mm 3CR12
- Aluminium gland entry plate
- 10 x Brass earth screws
- Internal channel for AC cables

Dimensions

- 900 x 550 x 325mm

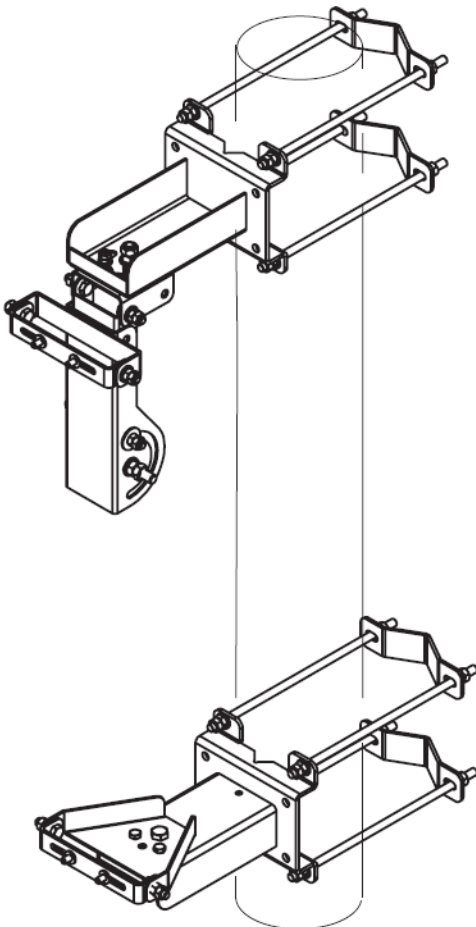
Weight

- 64 kg



RRU Antenna Tilt Bracket (Rev. 11)

- Bracket to fit angular tower leg up to 150 x 150mm
- Azimuth adjustment through 180°
- Tilt adjustment up to 8° (depending on antenna length)



RRU Antenna Bracket Vertical

- Wall mount or pole mount to round pole $\lt; \varnothing 200\text{mm}$
- Azimuth adjustment through 180°
- Tilt adjustment up to 8° (depending on antenna length)